

Holley 1Trig 8Cyl 1Coil 5V Hall

Harness Required: E03 Ver 1.0 & E02 Ver 1.1

Last Changed: 26/05/2008

Drawing Ver: 1.0

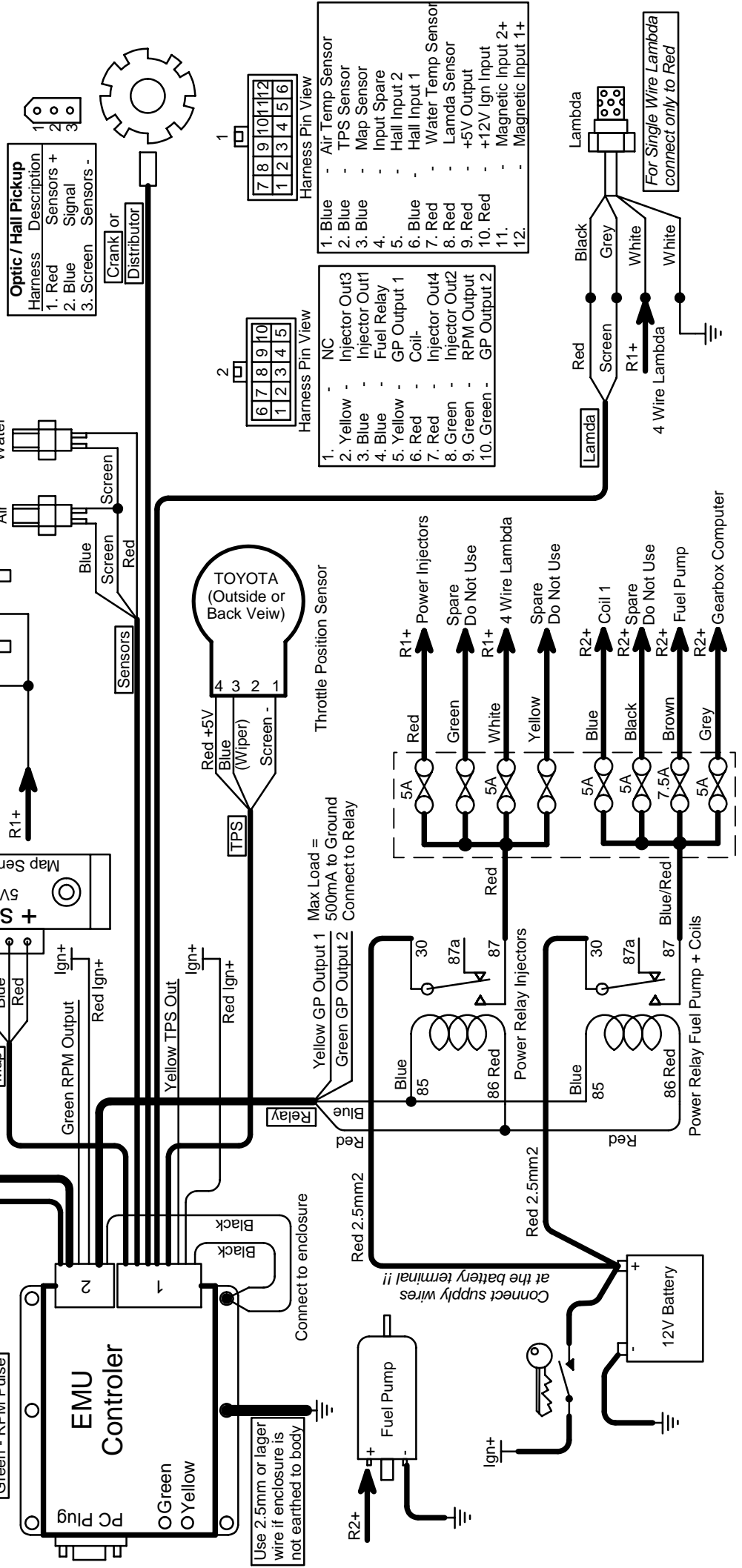
Ign+ Ignition Power
Earth

Terminal Connections with the same name are tied together

Led's Functions
Yellow - Power
Green - RPM Pulse

Firing Order Example
A B C D E F G H
Blue = A
Green = B
Yellow = C
Red = D

(See Injector Wiring In EMU User Manual)



Use 2.5mm or larger wire if enclosure is not earthed to body

Connect supply wires at the battery terminal !!

Connect to enclosure

Max Load = 500mA to Ground
Connect to Relay

Power Relay Fuel Pump + Coils

Gearbox Computer

Fuel P pump

Do Not Use

Do Not Use

Do Not Use

Do Not Use

Do Not Use

Do Not Use